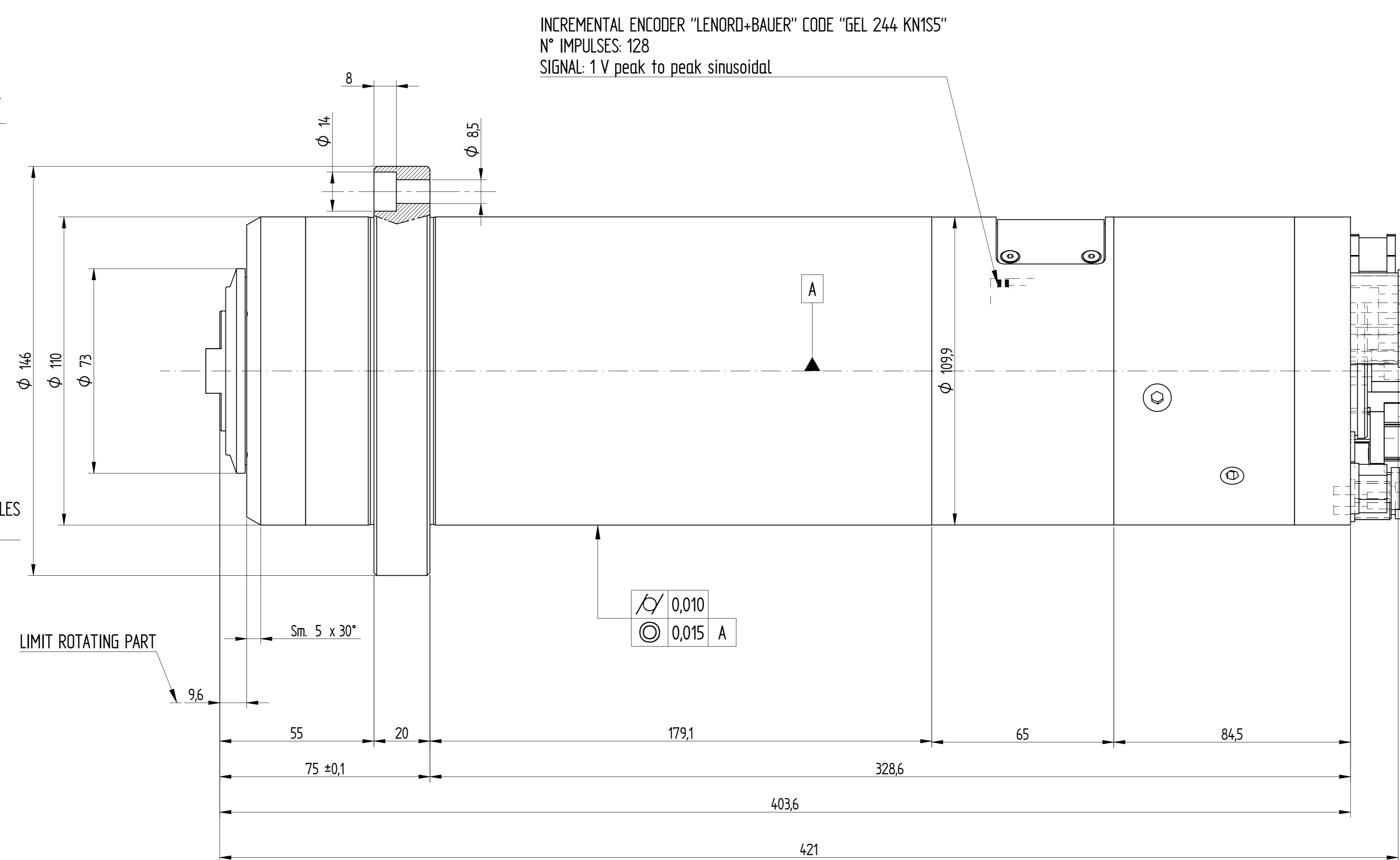
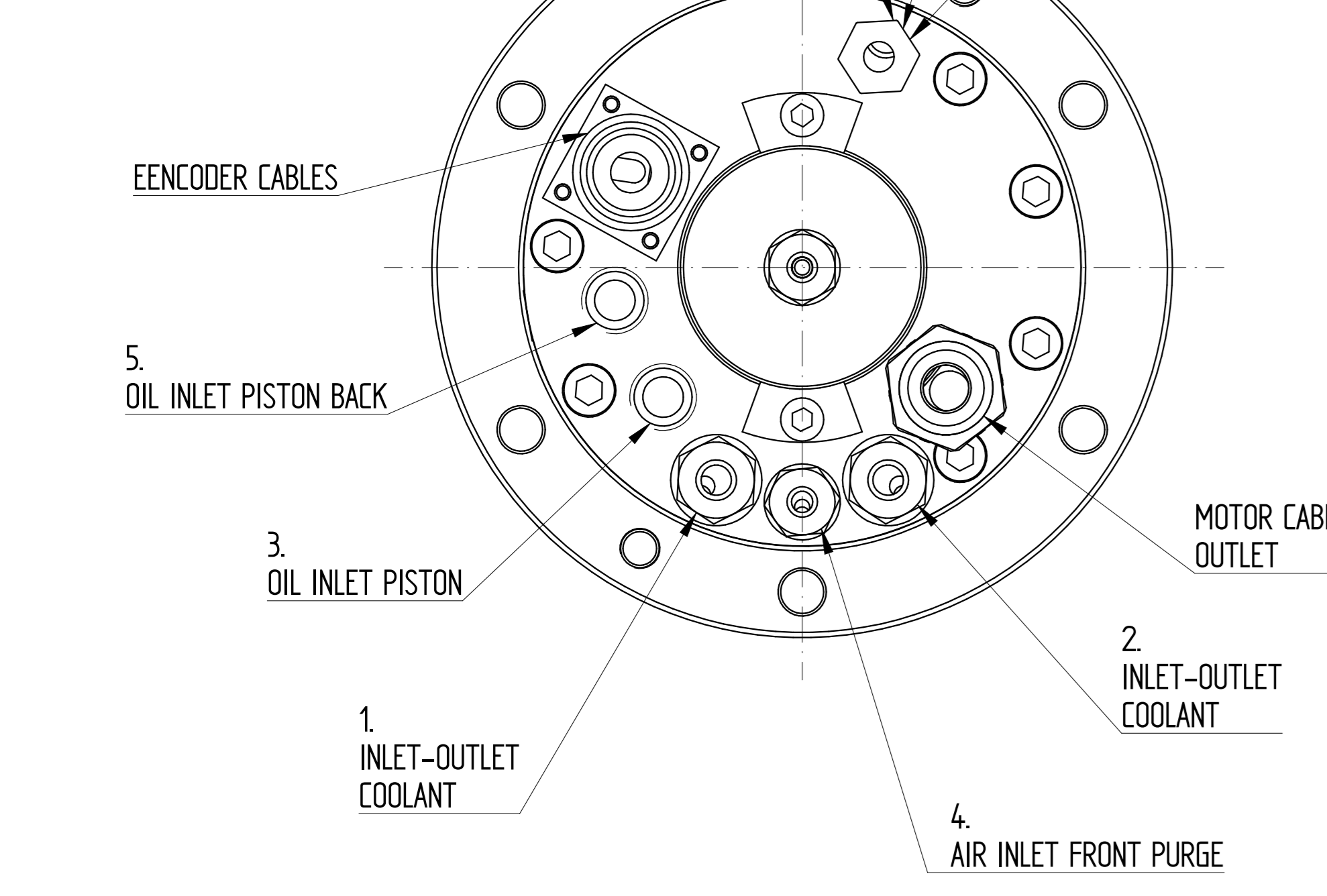


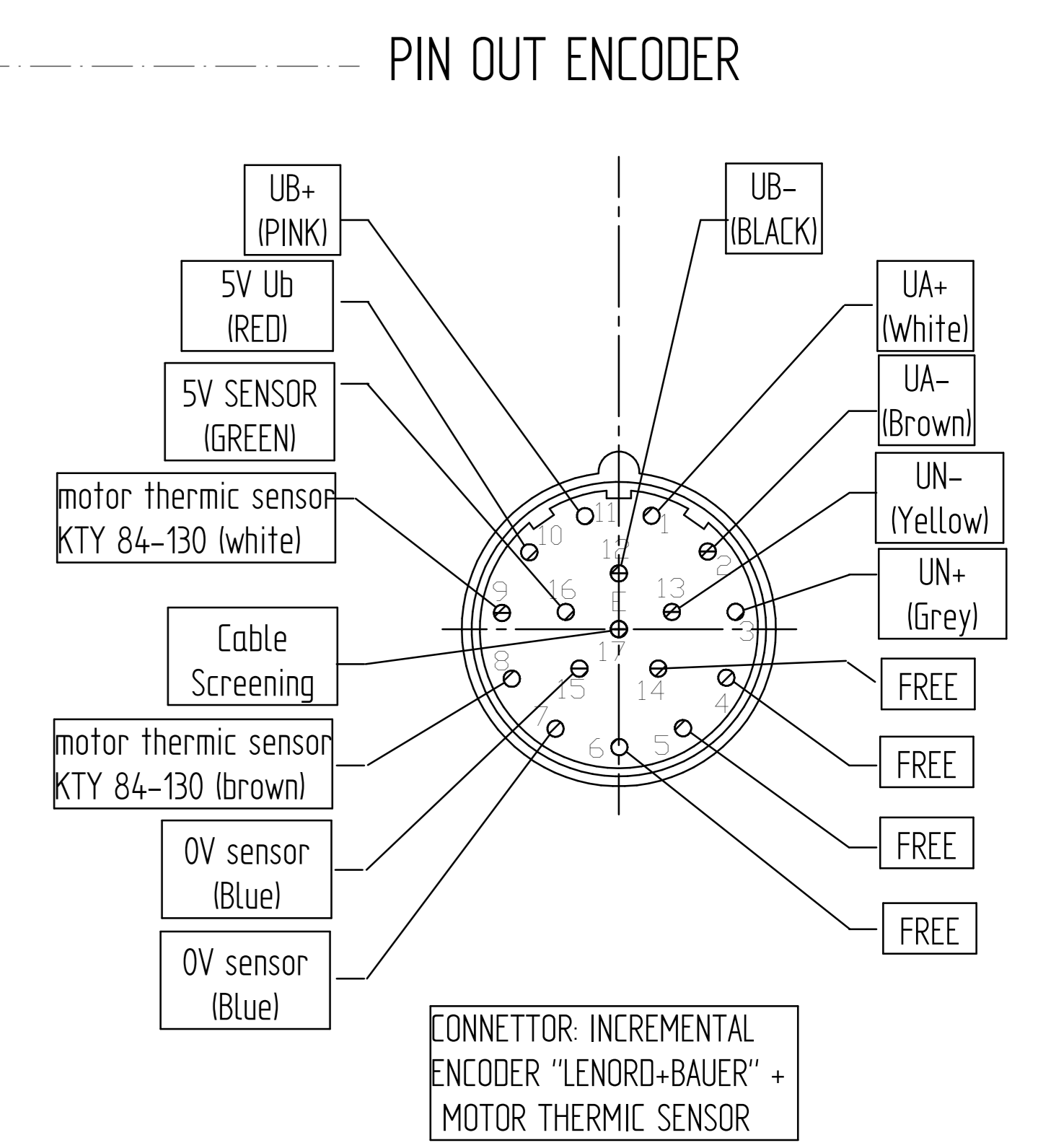
S2 "Tool Out"	White (OV)
	Brown (OUTPUT)
	Green (+24 Vcc)
S3 "Without Tool"	Yellow (OV)
	Grey (Output)
	Pink (+24 Vcc)
S4 "Tool In"	Blue (OV)
	Red (OUTPUT)
	Black (+24 Vcc)



INCREMENTAL ENCODER "LENORD+BAUER" CODE "GEL 244 KNIS5"
 N° IMPULSES: 128
 SIGNAL: 1 V peak to peak sinusoidal

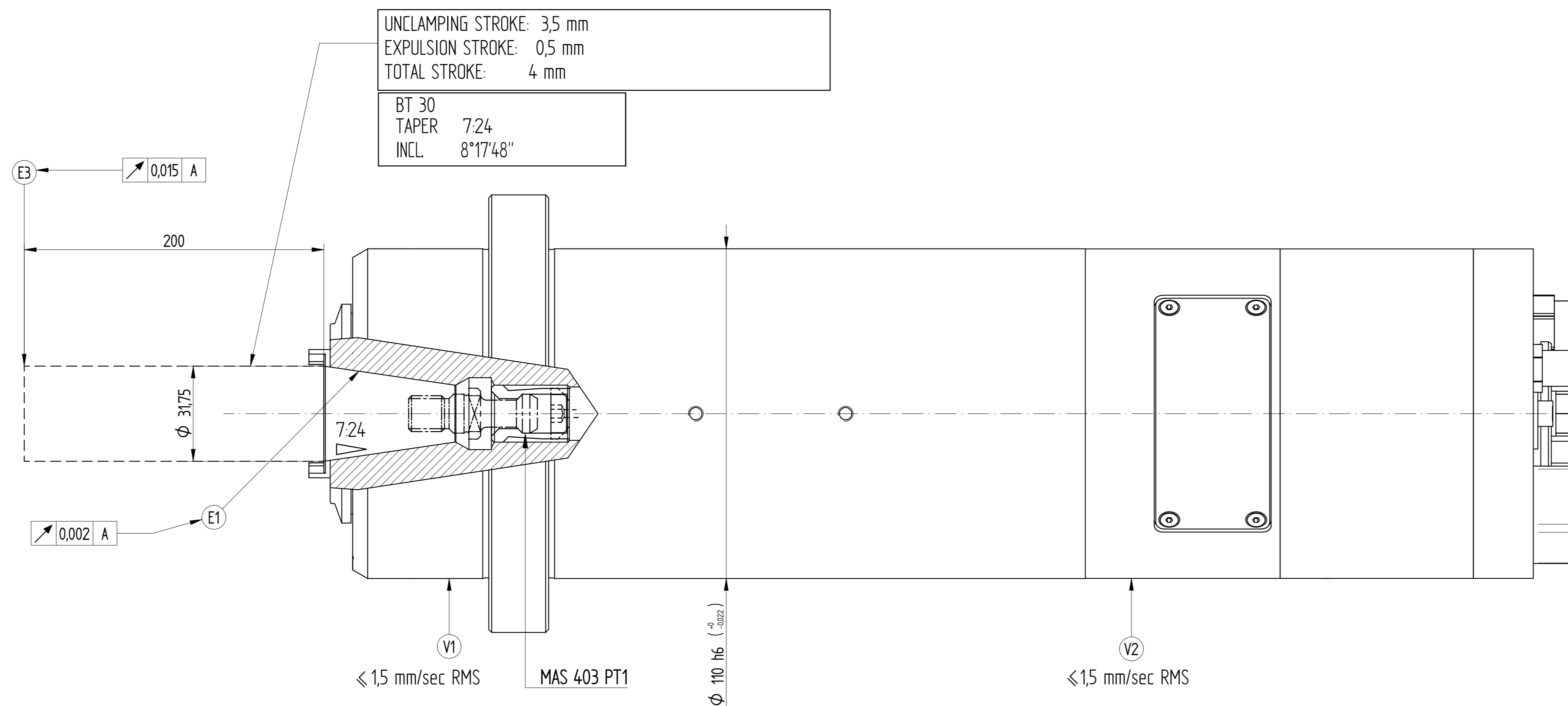
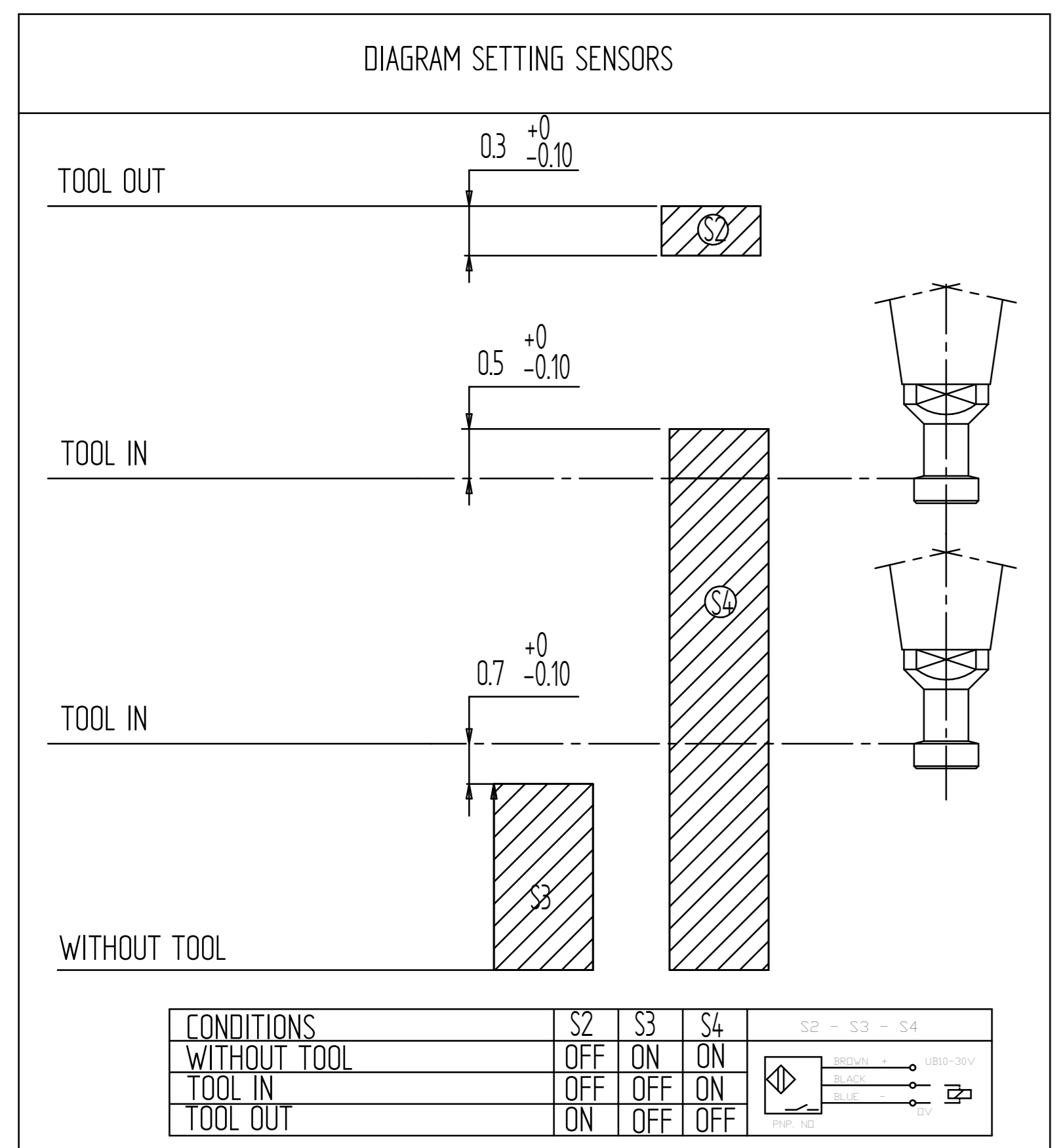
Connector: EPIC CIRCON M23 A1 03,2 (HOUSING)

MOTOR CONNECTOR	
1	Phase "U"
2	Phase "V"
3	Phase "W"
4	Earth

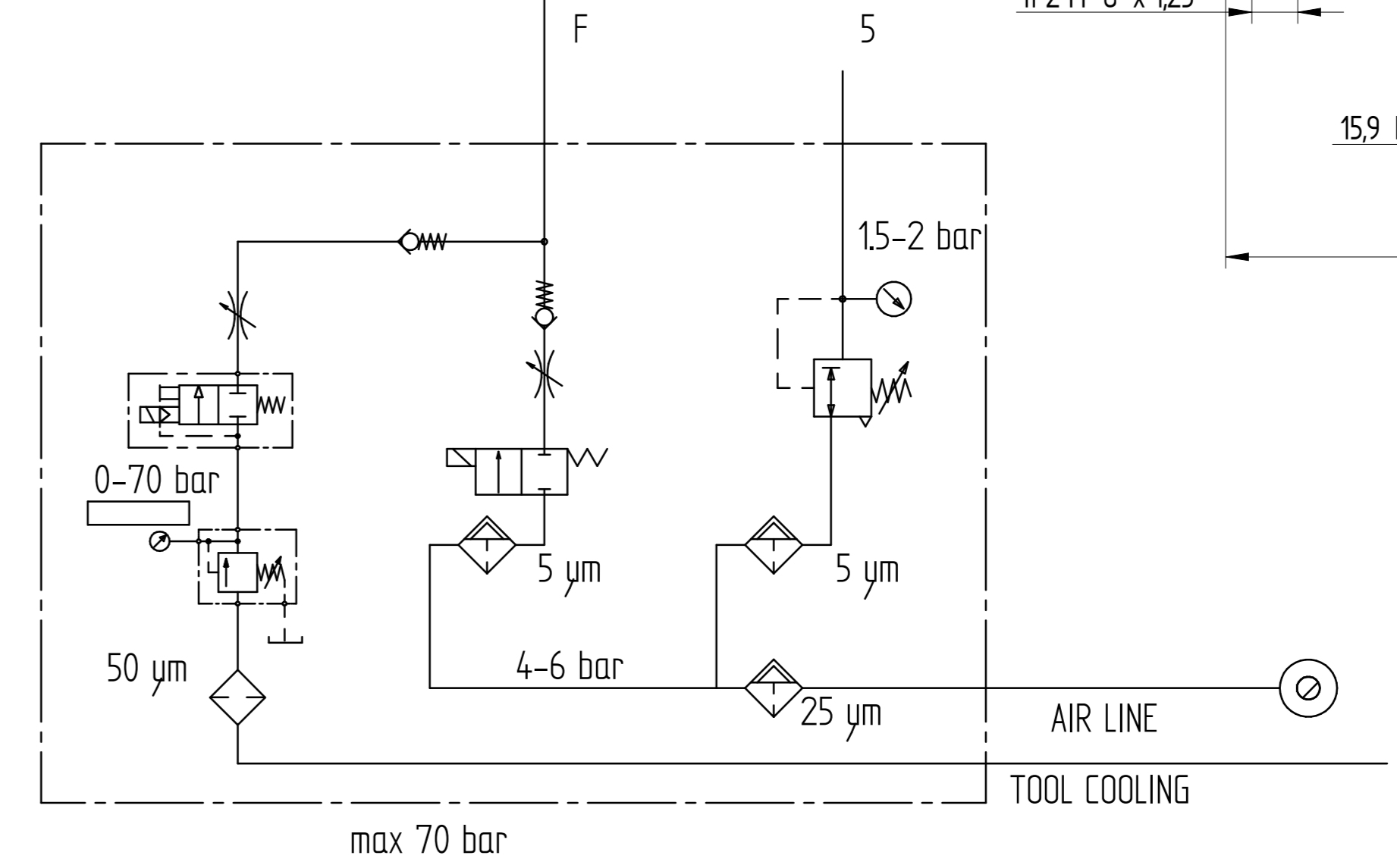
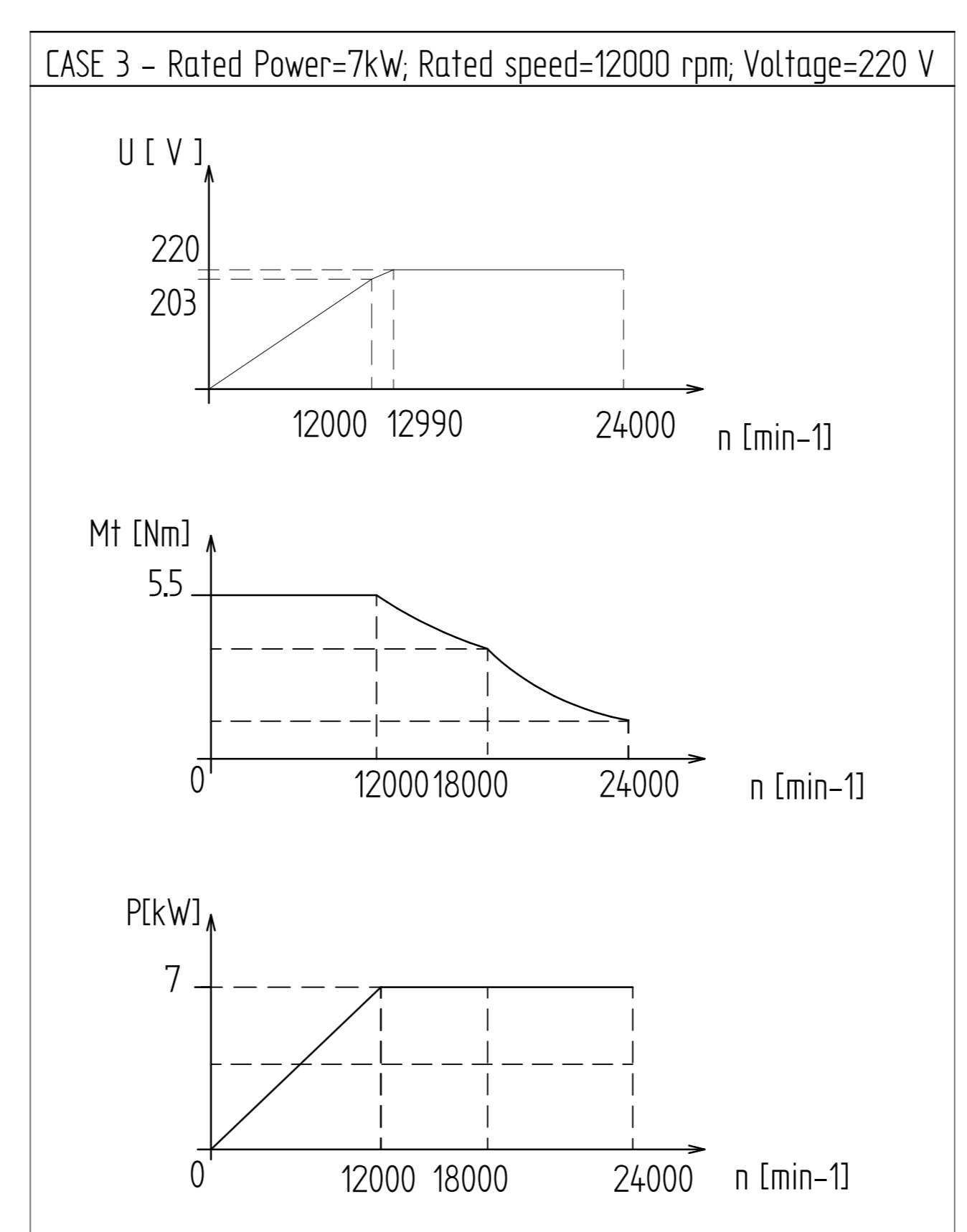
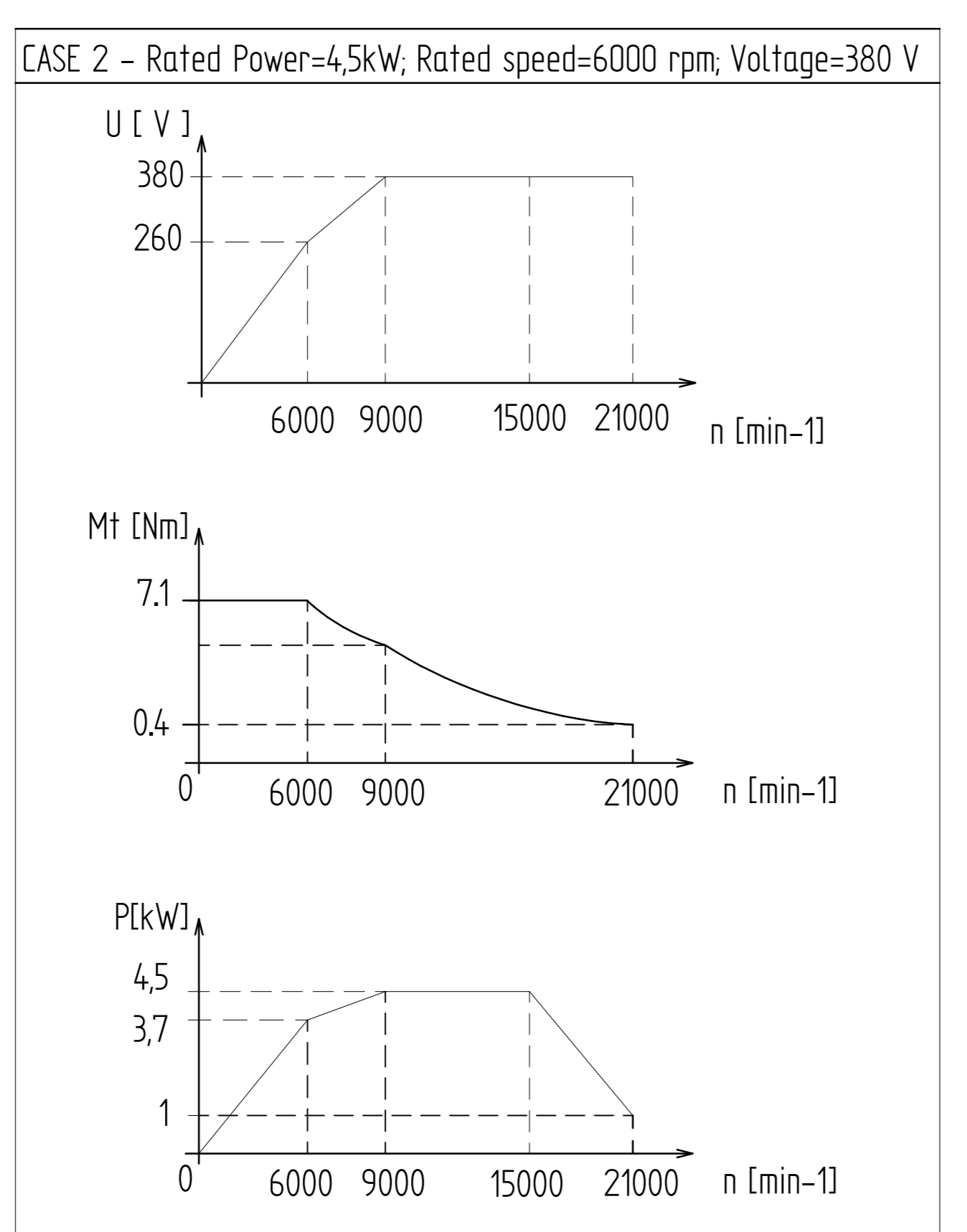
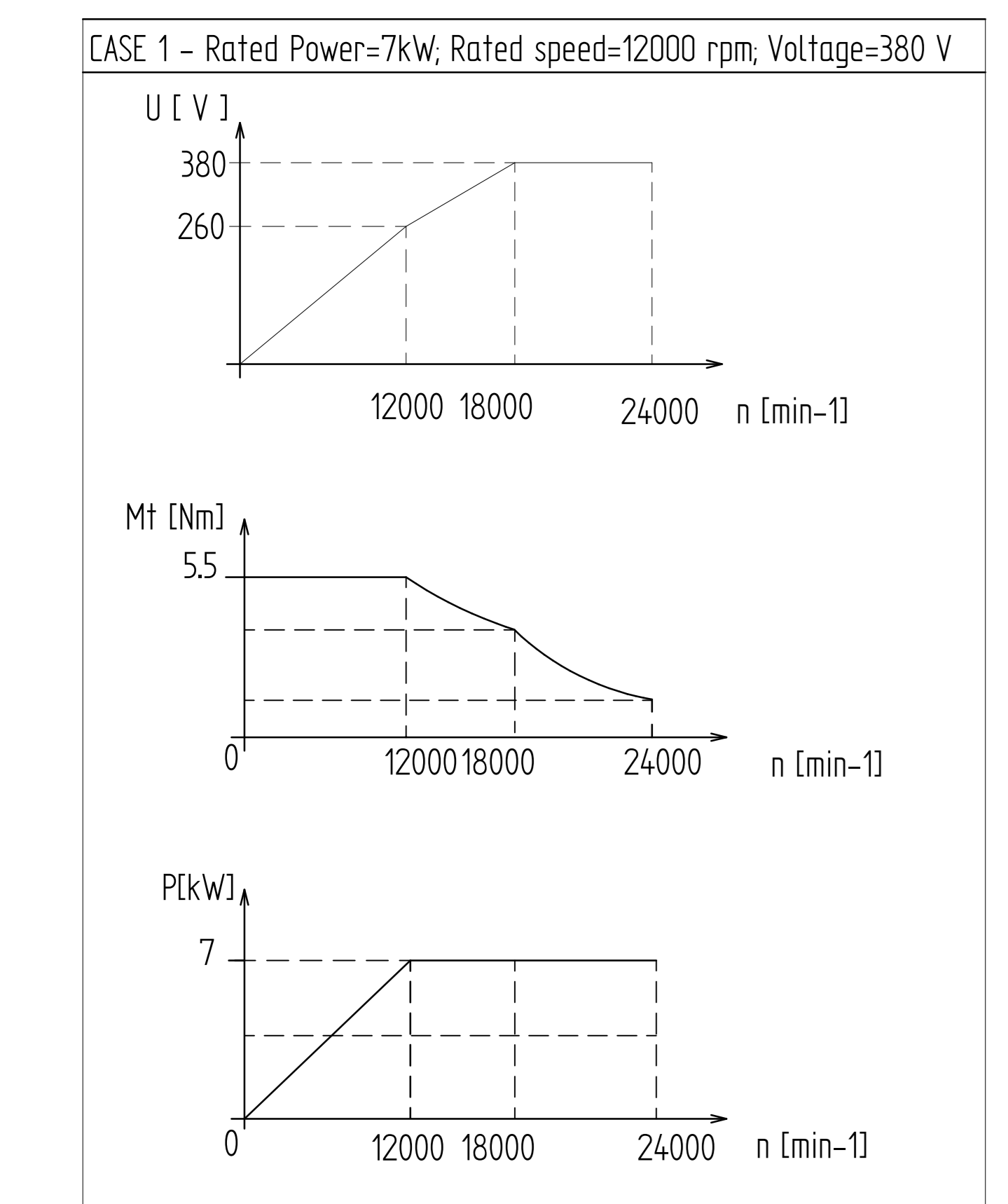
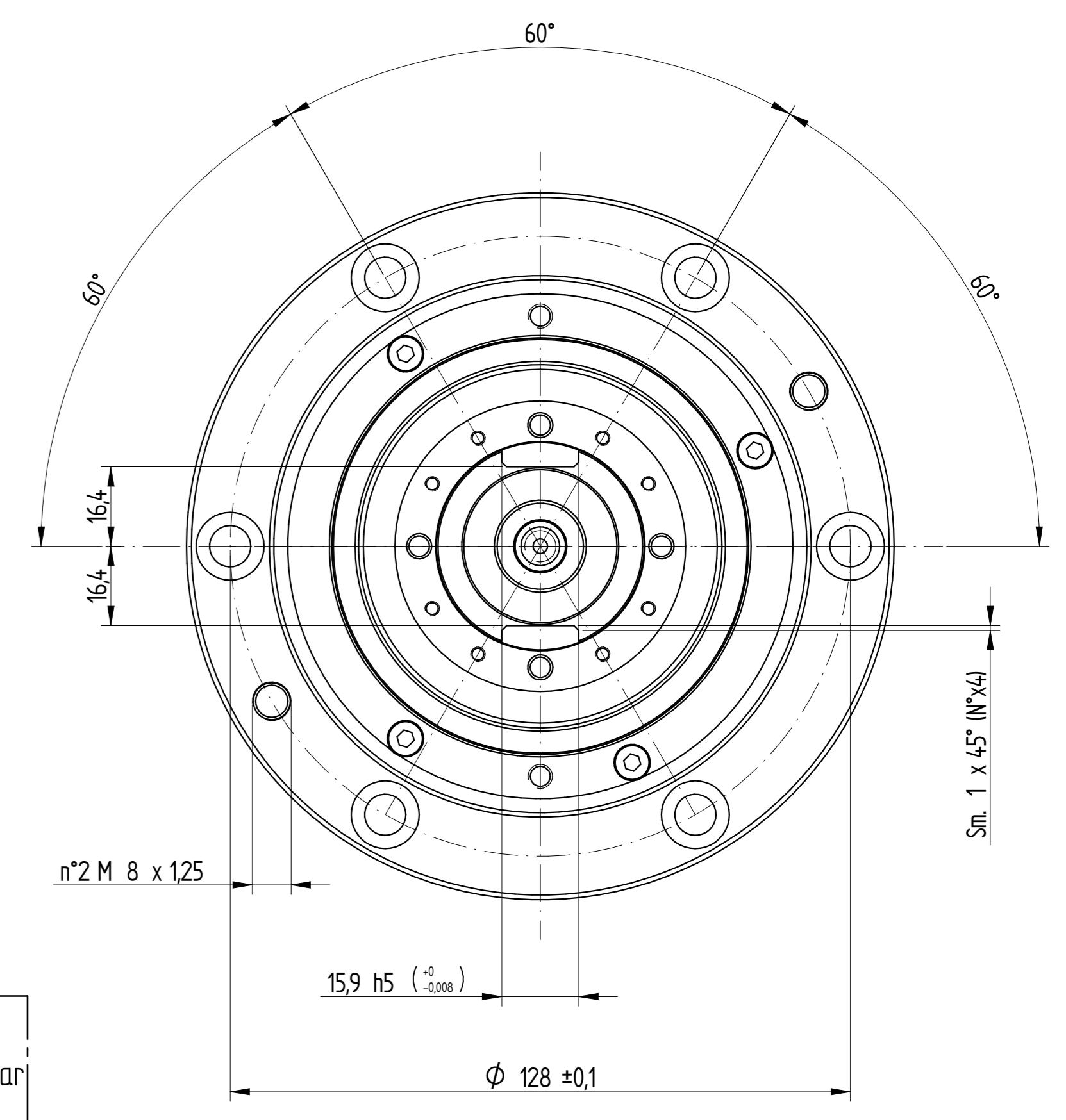


SPINDLE CONNECTIONS	
1	1/4" Gas. INLET-OUTLET MOTOR COOLANT (water cooler)
2	1/4" Gas. INLET-OUTLET MOTOR COOLANT (water cooler)
3	1/4" Gas. OIL INLET PISTON (40 bar max.) / Hydraulic in
4	1/8" Gas. AIR INLET FRONT PURGE see scheme (Air Cutter)
5	1/4" Gas. OIL INLET FOR PISTON BACK (40 bar max.) / Hydraulic out
THIS PRESSURE HAVE TO BE PRESENT TO ENSURE THE POSITION DURING CUTTING WORKS !	

OPTIONAL ROTATING UNION CONNECTIONS:	
F	Inlet tool cooling 1/4" Gas
H	Air inlet for cleaning taper 1/4" Gas
	Drainage 1/8" Gas



SENSOR CABLE LENGTH 3 mt



POWER LOSS 1330 Watt
 1144 Kcal/hr

REV.	DESCRIZIONE REVISIONE / REVISION DESCRIPTION	N° REV.	DATA / DATE	FIRMA / SIGNATURE
1	DESEGNATO / DRAWN BY			
2	CONTROLLATO / CHECKED BY			
3	APPROVATO / APPROVED			
4	PRODOTTO / PRODUCED			
5	VERIFICATO / VERIFIED			
6	CONFEZIONATO / PACKAGED			
7	DESCRIZIONE / DESCRIPTION			

DATE: 6/11/2019
 FIRMA: Bernabucci L.
 DESCRIZIONE: 5530H0971